

THE COMMISSIONER OF TRANSPORTATION IS HEREBY DESIGNATING THE DEFINITE LOCATION OF TRUNK HIGHWAY NO. 38 FROM 0.2 MILES NORTH OF THE JUNCTION WITH COUNTY STATE AID HIGHWAY NO. 19 TO 1.5 MILES SOUTHEAST OF MARCELL

as shown on this plat prepared by the State of Minnesota Department of Transportation is hereby certified as the official plat of that portion of said T.H. 38 within the designated portion of Section 27 and Section 28 and the Commissioner's Order therefor pursuant to Minnesota Statutes, Section 160.085, Section 160.14 subd. 1, Section 161.16 subd. 2, and Section 161.18.

It is further ordered that it is necessary to acquire all trees, shrubs, grass and herbage within the right of way of said Trunk Highway, and to keep and have the exclusive control of the same.

Commissioner's Order No. 95978 Location PLAT 31-175 Nature of Interest Definite location, width, access and temporary easement.

Certified by Charles A. Zell, Commissioner of Transportation, dated 2 June 17, by Peter W. Jenkins, Assistant Director, Office of Land Management.

I hereby certify that this plat was surveyed and prepared by me or under my direct supervision and that I am a duly Licensed Land Surveyor under the Laws of the State of Minnesota; that all measurements are correctly shown on this plat; that all monuments have been correctly placed as shown on this plat; that Certificates of Location for the monumented Public Land Survey corners as shown on this plat are on file in the County Recorder's Office (if required under Minnesota Statutes, Section 160.15) and/or the County Surveyor's Office; that this plat meets the requirements of Minnesota Statutes, Section 160.085, Section 160.14 subd. 1, Section 161.16 subd. 2, and Section 161.18; that the parcel ownerships are correctly described and delineated on the plat; and that the proposed right of way boundary lines are correctly designated on the plat.

Certified by Kevin M. Sutherland, License No. 50807, Date 6/5/17, MNDOT District Office.

Table: RIGHT OF WAY IN SECTION 27. Columns: PARCEL, OWNER, LOCATION, NEW T.H. R/W, TEMPORARY EASEMENT, PERMANENT R/W INTEREST. Row 1: 54, BOUNDARY CO., SW 1/4 SW 1/4, 0.26, FEE.

Table: RIGHT OF WAY IN SECTION 28. Columns: PARCEL, OWNER, LOCATION, TORRENS NUMBER, NEW T.H. R/W, TEMPORARY EASEMENT, PERMANENT R/W INTEREST. Row 1: 62, UNITED STATES OF AMERICA, GOV'T LOT 5 NW 1/4 SE 1/4 SE 1/4 SE 1/4, 2354, 2352, 2352, 9.69, EASEMENT.

Table: PLAT BOUNDARY DATA. Columns: FROM, TO, DISTANCE(FT), AZIMUTH. Lists boundary points B1 through B8 and A points with distances and azimuths.

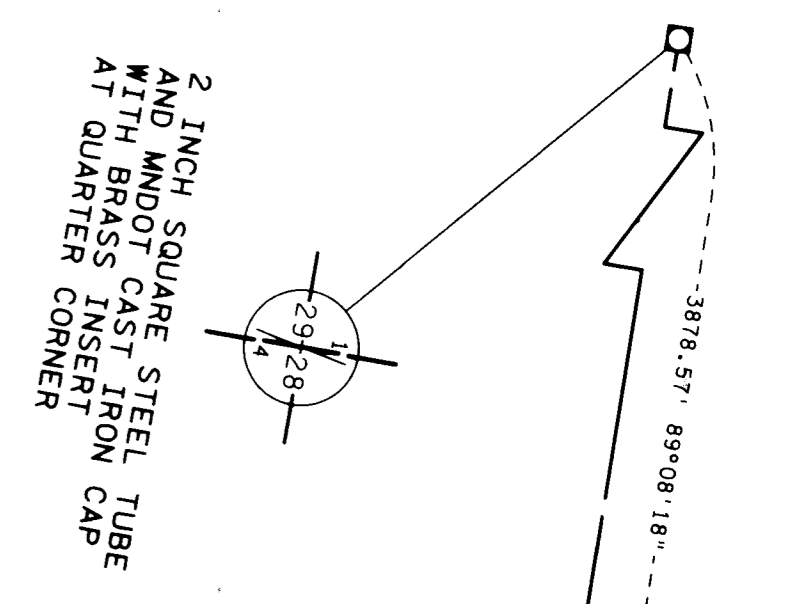
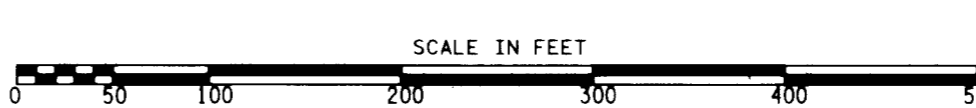
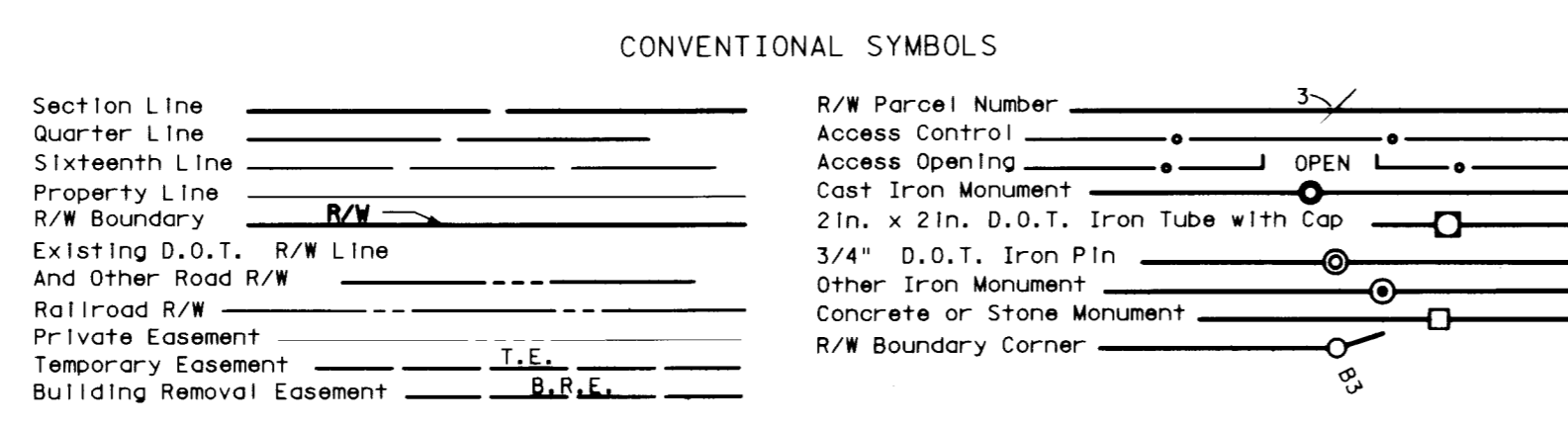
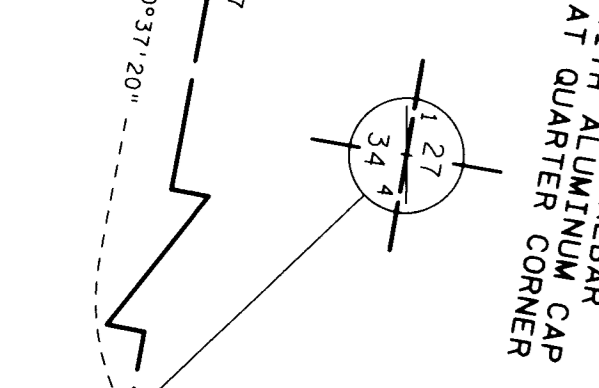
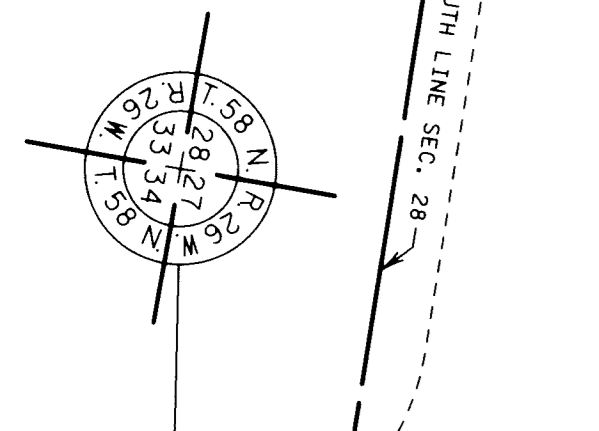
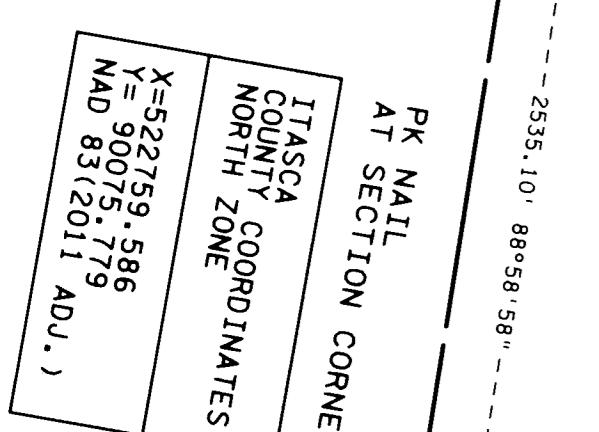
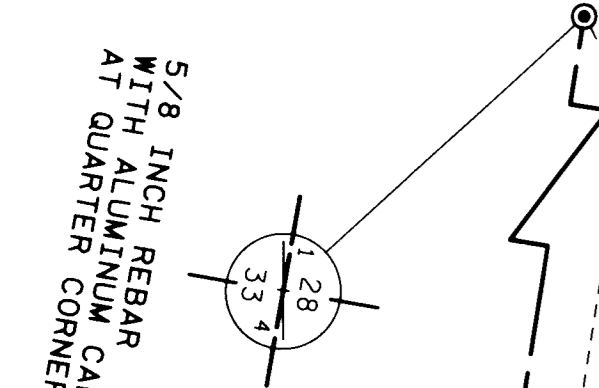
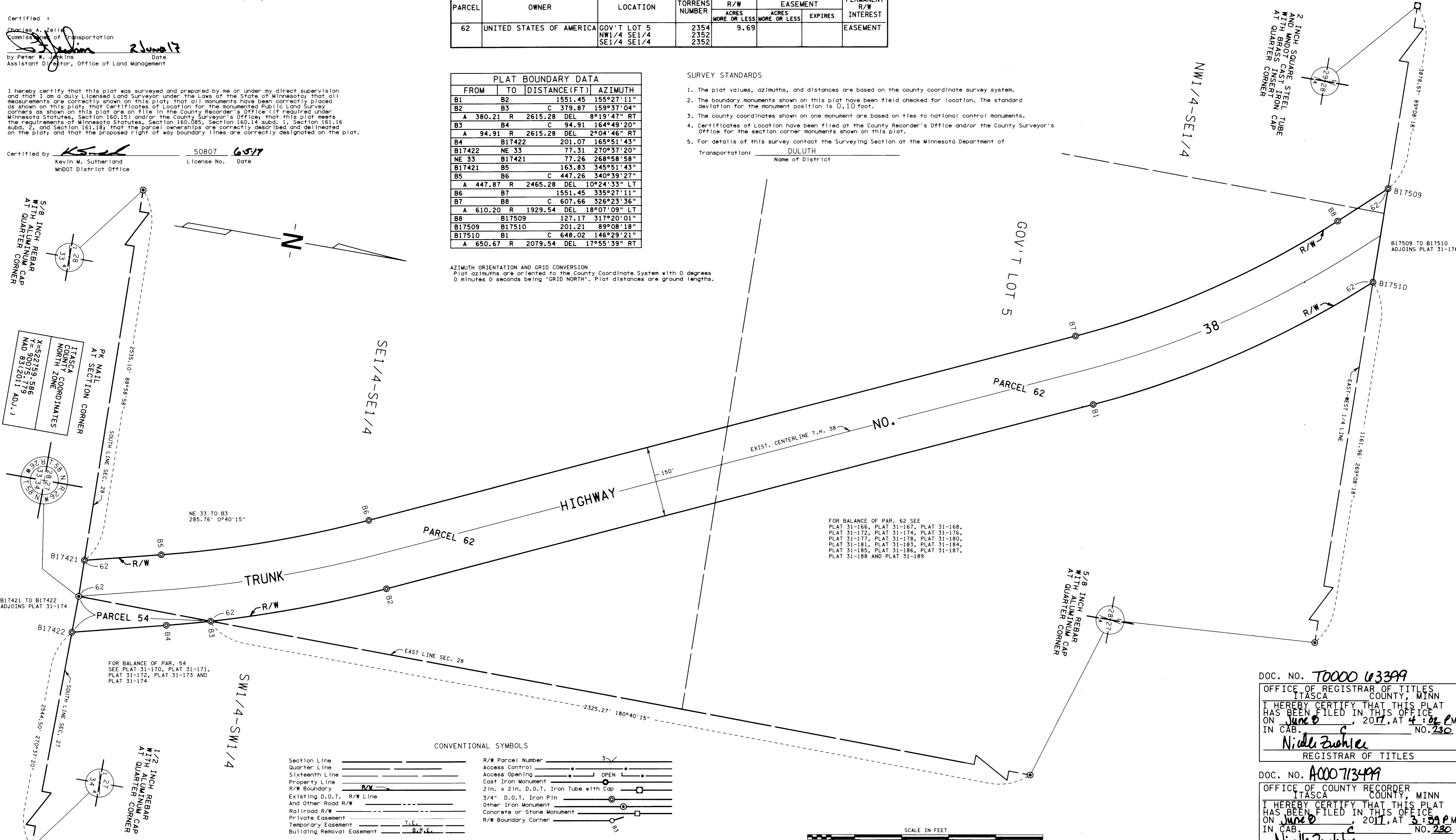
SURVEY STANDARDS

- 1. The plat values, azimuths, and distances are based on the county coordinate survey system. 2. The boundary monuments shown on this plat have been field checked for location. The standard deviation for the monument position is 0.10 foot. 3. The county coordinates shown on one monument are based on ties to national control monuments. 4. Certificates of Location have been filed at the County Recorder's Office and/or the County Surveyor's Office for the section corner monuments shown on this plat. 5. For details of this survey contact the Surveying Section at the Minnesota Department of Transportation: DULUTH, Name of District.

AZIMUTH ORIENTATION AND GRID CONVERSION. Plat azimuths are oriented to the County Coordinate System with 0 degrees 0 minutes 0 seconds being "GRID NORTH". Plat distances are ground lengths.

MINNESOTA DEPARTMENT OF TRANSPORTATION RIGHT OF WAY PLAT NO. 31-175

CONTROL SECTION NO. 3108 (38=196) 906 IN THE SOUTHWEST QUARTER OF THE SOUTHWEST QUARTER OF SECTION 27, T.58 N., R.26 W., IN GOVERNMENT LOT 5 OF SECTION 28, T.58 N., R.26 W., IN THE NORTHWEST QUARTER OF THE SOUTHWEST QUARTER OF SECTION 28, T.58 N., R.26 W., IN THE SOUTHWEST QUARTER OF THE SOUTHWEST QUARTER OF SECTION 28, T.58 N., R.26 W., ITASCA COUNTY, MINNESOTA



DOC. NO. T0000 63399 OFFICE OF REGISTRAR OF TITLES ITASCA COUNTY, MINN I HEREBY CERTIFY THAT THIS PLAT HAS BEEN FILED IN THIS OFFICE ON June 6, 2017, AT 4:02 PM IN CAB. NO. 230 Nidle Zuhler REGISTRAR OF TITLES

DOC. NO. A000 713499 OFFICE OF COUNTY RECORDER ITASCA COUNTY, MINN I HEREBY CERTIFY THAT THIS PLAT HAS BEEN FILED IN THIS OFFICE ON June 6, 2017, AT 3:59 PM IN CAB. NO. 230 Nidle Zuhler COUNTY RECORDER

PLAT NO. 31-175 C.S. 3108 (38=196) 906