

MINNESOTA DEPARTMENT OF TRANSPORTATION RIGHT OF WAY PLAT NO. 31-172

CONTROL SECTION NO. 3108 (38=196) 906
IN GOVERNMENT LOT 8 AND GOVERNMENT LOT 12 OF SECTION 34, T.58 N., R.26 W.,
IN THE SOUTHEAST QUARTER OF THE SOUTHEAST QUARTER OF SECTION 34, T.58 N., R.26 W.,
IN THE SOUTHWEST QUARTER OF THE SOUTHWEST QUARTER OF SECTION 35, T.58 N., R.26 W.,
ITASCA COUNTY, MINNESOTA

THE COMMISSIONER OF TRANSPORTATION IS HEREBY DESIGNATING THE DEFINITE LOCATION OF TRUNK HIGHWAY NO. 38 FROM 0.2 MILES NORTH OF THE JUNCTION WITH COUNTY STATE AID HIGHWAY NO. 19 TO 1.5 MILES SOUTHEAST OF MARCELL

as shown on this plat prepared by the State of Minnesota Department of Transportation is hereby certified as the official plat of that portion of said T.H. 38 within the designated portion of Section 34 & Section 35 and the Commissioner's Order therefor, pursuant to Minnesota Statutes, Section 160.085, Section 160.14 subd. 1, Section 161.16 subd. 2, and Section 161.18.

It is further ordered that it is necessary to acquire all trees, shrubs, grass and herbage within the right of way of said Trunk Highway, and to keep and have the exclusive control of the same.

Commissioner's Order No. 95913 Location PLAT 31-172 Nature of Interest Definite location, width, access and temporary easement.

Certified by: *Charles A. Zelle*
Commissioner of Transportation
Date: 30 May 17
by Peter W. Jenkins
Assistant Director, Office of Land Management

I hereby certify that this plat was surveyed and prepared by me or under my direct supervision and that I am a duly Licensed Land Surveyor under the Laws of the State of Minnesota; that all measurements are correctly shown on this plat; that all monuments have been correctly placed as shown on this plat; that Certificates of Location for the monumented Public Land Survey corners as shown on this plat are on file in the County Recorder's Office (if required under Minnesota Statutes, Section 160.15) and/or the County Surveyor's Office; that this plat meets the requirements of Minnesota Statutes, Section 160.085, Section 160.14 subd. 1, Section 161.16 subd. 2, and Section 161.18; that the parcel ownerships are correctly described and delineated on the plat; and that the proposed right of way boundary lines are correctly designated on the plat.

Certified by: *Kevin M. Sutherland* License No. 50807 Date 6-1-17
MnDOT District Office

RIGHT OF WAY IN SECTION 34 AND SECTION 35						
PARCEL	OWNER	LOCATION	NEW T.H.	TEMPORARY EASEMENT		PERMANENT R/W INTEREST
			R/W	ACRES MORE OR LESS	ACRES MORE OR LESS	
54	BOUNDARY CO.	GOV'T LOT 8, SECTION 34 SE1/4 SE1/4, SECTION 34 SW1/4 SW1/4, SECTION 35	7.65			FEE

RIGHT OF WAY IN SECTION 34						
PARCEL	OWNER	LOCATION	NEW T.H.	TEMPORARY EASEMENT		PERMANENT R/W INTEREST
			R/W	ACRES MORE OR LESS	ACRES MORE OR LESS	
58	THE TRUST FOR PUBLIC LAND	GOV'T LOT 8	0.81			FEE
62	UNITED STATES OF AMERICA	GOV'T LOT 12	0.61			EASEMENT

B17205 TO B17206
ADJOINS PLAT 31-173

FOR BALANCE OF PAR. 58
SEE PLAT 31-173 AND PLAT 31-174

FOR BALANCE OF PAR. 54
SEE PLAT 31-170, PLAT 31-171,
PLAT 31-173, PLAT 31-174 AND
PLAT 31-175

FOR BALANCE OF PAR. 62 SEE
PLAT 31-166, PLAT 31-167, PLAT 31-168,
PLAT 31-174, PLAT 31-175, PLAT 31-176
PLAT 31-177, PLAT 31-178, PLAT 31-180,
PLAT 31-181, PLAT 31-183, PLAT 31-184,
PLAT 31-185, PLAT 31-186, PLAT 31-187,
PLAT 31-188 AND PLAT 31-189

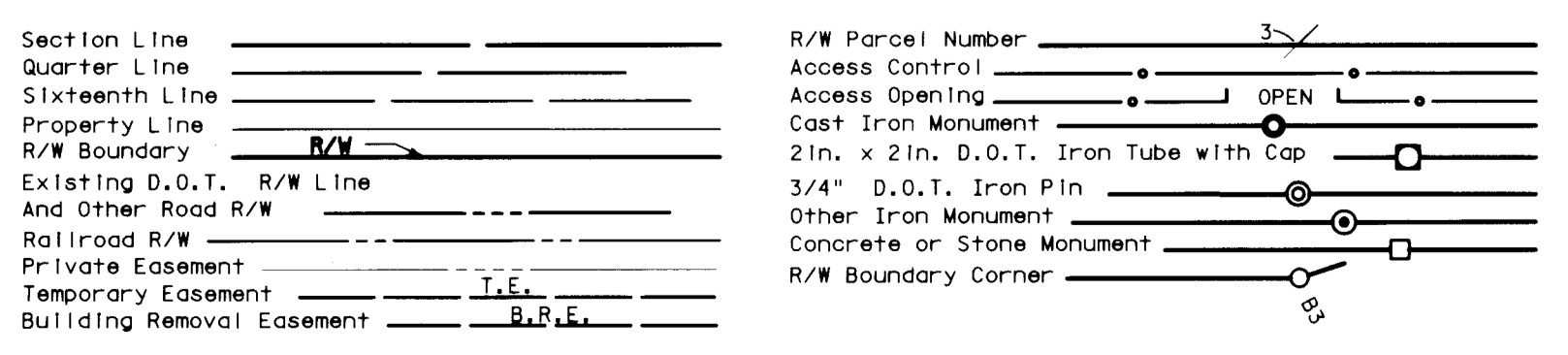
PLAT BOUNDARY DATA			
FROM	TO	DISTANCE (FT)	AZIMUTH
B1	B2	165.40	127°28'52"
B2	B17112	C 303.25	132°48'38"
A	303.69	R 1632.41	DEL 10°39'33" RT
B17112	B17111	212.36	270°29'59"
B17111	B3	C 132.43	310°02'28"
A	132.48	R 1482.41	DEL 5°07'13" LT
B3	B4	53.57	307°28'52"
B4	B17205	2383.94	307°28'52"
B17205	B17206	150.00	37°28'52"
B17206	B1	2272.11	127°28'52"

AZIMUTH ORIENTATION AND GRID CONVERSION
Plat azimuths are oriented to the County Coordinate System with 0 degrees 0 minutes 0 seconds being "GRID NORTH". Plat distances are ground lengths.

SURVEY STANDARDS

- The plat values, azimuths, and distances are based on the county coordinate survey system.
- The boundary monuments shown on this plat have been field checked for location. The standard deviation for the monument position is 0.10 foot.
- The county coordinates shown on one monument are based on ties to national control monuments.
- Certificates of Location have been filed at the County Recorder's Office and/or the County Surveyor's Office for the section corner monuments shown on this plat.
- For details of this survey contact the Surveying Section at the Minnesota Department of Transportation: DULUTH
Name of District

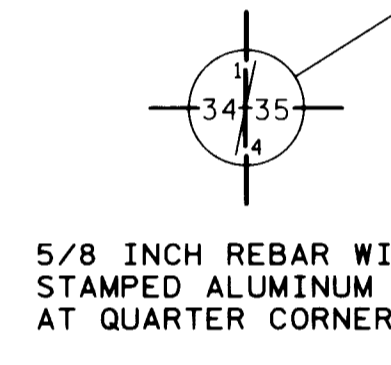
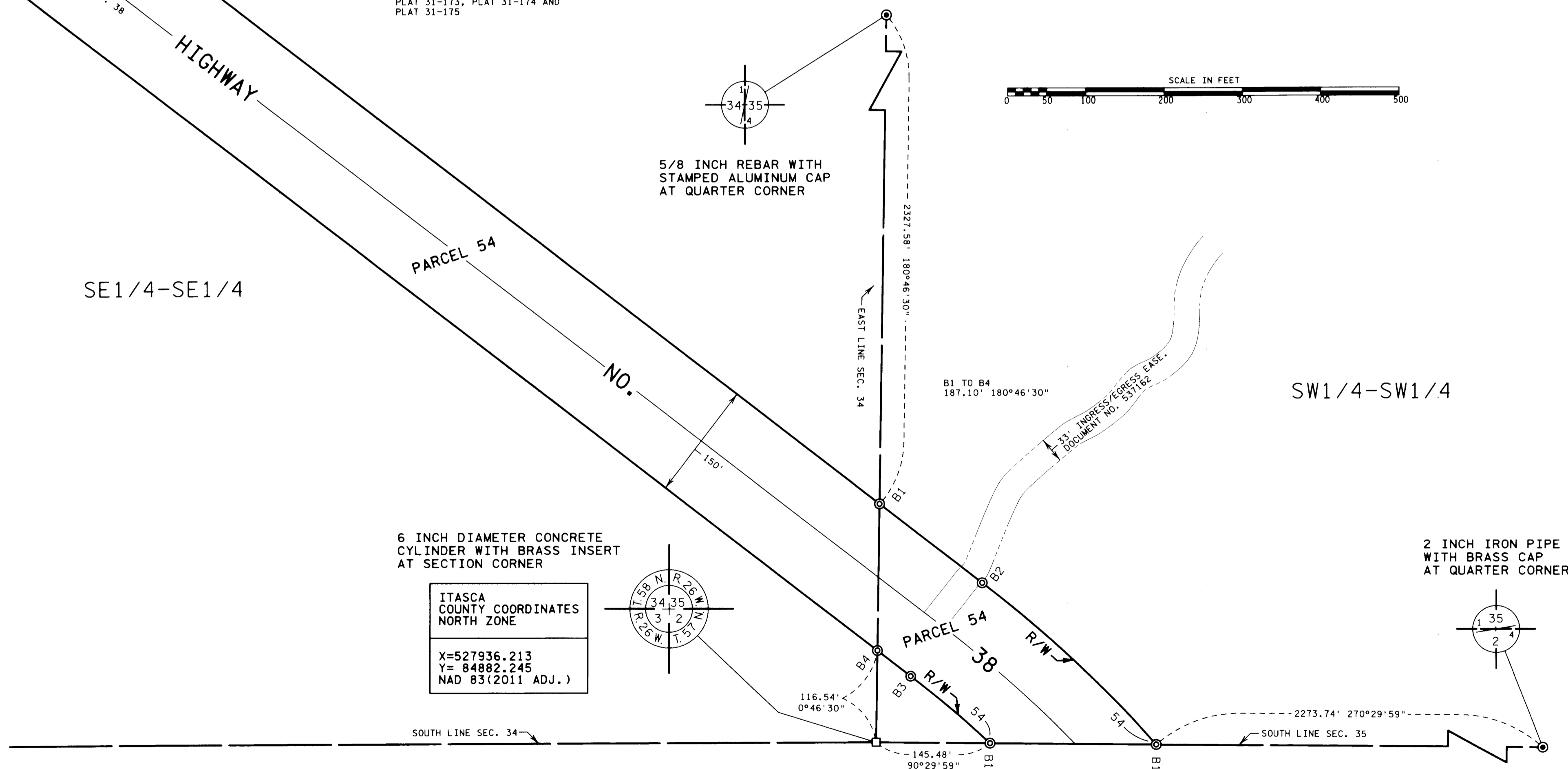
CONVENTIONAL SYMBOLS



DISTANCES SHOWN TO FEET (66, 80 ETC.) ARE EXACT VALUES.

GOV'T LOT 12

SE1/4-SE1/4



ITASCA COUNTY COORDINATES
NORTH ZONE
X=527936.213
Y=84882.245
NAD 83(2011 ADJ.)

DOC. NO. A000713237
OFFICE OF COUNTY RECORDER
ITASCA COUNTY, MINN.
I HEREBY CERTIFY THAT THIS PLAT
HAS BEEN FILED IN THIS OFFICE
ON June 1st, 2017, AT 3:54 P.M.
IN CAB. C NO. 226
Nicole Freshlee
COUNTY RECORDER

PLAT NO. 31-172
C.S. 3108 (38=196) 906