

THE COMMISSIONER OF TRANSPORTATION IS HEREBY DESIGNATING THE DEFINITE LOCATION OF TRUNK HIGHWAY NO. 65 FROM BUCK LAKE TO TOGO

as shown on this plat prepared by the State of Minnesota Department of Transportation is hereby certified as the official plat of that portion of said Trunk Highway No. 65 within the designated portion of Sections 7 & 12 and the Commissioner's Order therefor, pursuant to Minnesota Statutes, Section 160.085, Section 160.14 subd. 1, Section 161.16 subd. 2, and Section 161.18.

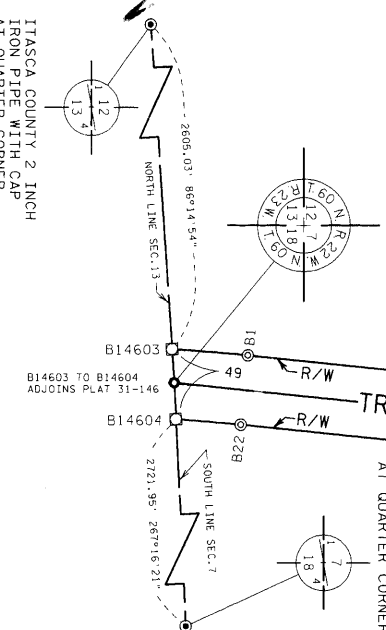
It is further ordered that it is necessary to acquire all trees, shrubs, grass and herbage within the right of way of said Trunk Highway, and to keep and have the exclusive control of the same.

Commissioner's Order No.	Location	Nature of Interest
90878	PLAT 31-147	Definite location, width, access, temporary easement and building removal easement.

Certified:  
 Thomas K. Engel  
 Commissioner of Transportation  
 by *M. J. Steenberg* 7/22/09  
 Assistant Director, Office of Land Management

I hereby certify that this plat was surveyed and prepared by me or under my direct supervision and that I am a duly Licensed Land Surveyor under the Laws of the State of Minnesota; that all measurements are correctly shown on this plat; that all monuments have been correctly placed as shown on this plat; that the certificates of Location for the monuments Public Land Survey corners as shown on this plat are on file in the County Recorder's Office (if required under Minnesota Statutes, Section 160.15) and/or the County Surveyor's Office; that this plat meets the requirements of Minnesota Statutes, Section 160.085, Section 160.14 subd. 1, Section 161.16 subd. 2, and Section 161.18; that the parcel ownerships are correctly described and delineated on the plat; and that the proposed right of way boundary lines are correctly designated on the plat.

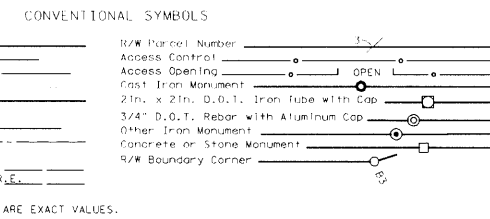
Certified by *Rodney V. Gunderson* 7/22/09  
 Rodney V. Gunderson 41204 License No. Date  
 Mn/DOT District Office



FROM	TO	DISTANCE (FT)	AZIMUTH
B1	B2	2474.10	5°49'02"
B2	B3	C 39.65	4°25'54"
A	B3	R 819.73 DEL 2°46'17"	LT
B3	B4	C 429.69	347°51'06"
A	B4	R 819.73 DEL 30°23'18"	LT
B4	B5	C 132.74	332°39'27"
B5	B6	C 761.90	355°24'30"
A	B6	R 985.07 DEL 45°30'05"	RT
B6	B7	C 634.48	18°09'33"
B7	B8	C 339.75	9°53'54"
A	B8	R 1182.36 DEL 16°31'17"	LT
B8	B9	C 427.45	1°38'16"
B9	B10	C 26.86	1°43'49"
A	B10	R 8326.43 DEL 0°11'05"	RT
B10	B11	C 76.53	85°36'27"
B11	B12	C 74.12	87°39'34"
A	B12	R 8176.43 DEL 0°16'50"	LT
B12	B13	C 427.45	181°38'16"
B13	B14	C 382.86	189°53'54"
A	B14	R 1332.36 DEL 16°31'17"	RT
B14	B15	C 42.41	198°09'33"
B15	B16	C 592.06	198°09'33"
B16	B17	C 645.88	175°24'30"
A	B17	R 835.07 DEL 45°30'05"	LT
B17	B18	C 132.74	152°39'27"
B18	B19	C 102.53	155°41'17"
A	B19	R 969.73 DEL 6°03'39"	RT
B19	B20	C 392.49	170°23'38"
A	B20	R 969.73 DEL 23°21'04"	RT
B20	B21	C 63.42	183°56'36"
A	B21	R 969.73 DEL 3°44'52"	RT
B21	B22	C 2474.10	185°49'02"
B22	B1	C 140.73	184°45'06"
A	B1	R 3783.84 DEL 2°07'52"	LT
B14604	NE 13	C 78.49	267°16'21"
NE 13	B14603	C 72.57	266°14'54"
B14603	B1	C 164.47	4°37'10"
A	B1	R 3933.84 DEL 2°23'44"	RT

PARCEL	OWNER	LOCATION	NEW T.H. R/W ACRES MORE OR LESS	PERMANENT R/W INTEREST
49	STATE OF MINNESOTA	GOV'T LOT 3 SECTION 7 GOV'T LOT 4 SECTION 7 SE1/4 NE1/4 SECTION 12 NE1/4 SE1/4 SECTION 12 SE1/4 SE1/4 SECTION 12	13.54	FEE
51	BRYAN MISOVICH	GOV'T LOT 1 SECTION 7 GOV'T LOT 2 SECTION 7 NE1/4 NE1/4 SECTION 12	3.18	FEE

PARCEL	OWNER	LOCATION	NEW T.H. R/W ACRES MORE OR LESS	PERMANENT R/W INTEREST
52	JOEL D. OLSON	NE1/4 NE1/4	2.08	FEE



DISTANCES SHOWN TO FEET (66, 80 ETC.) ARE EXACT VALUES.

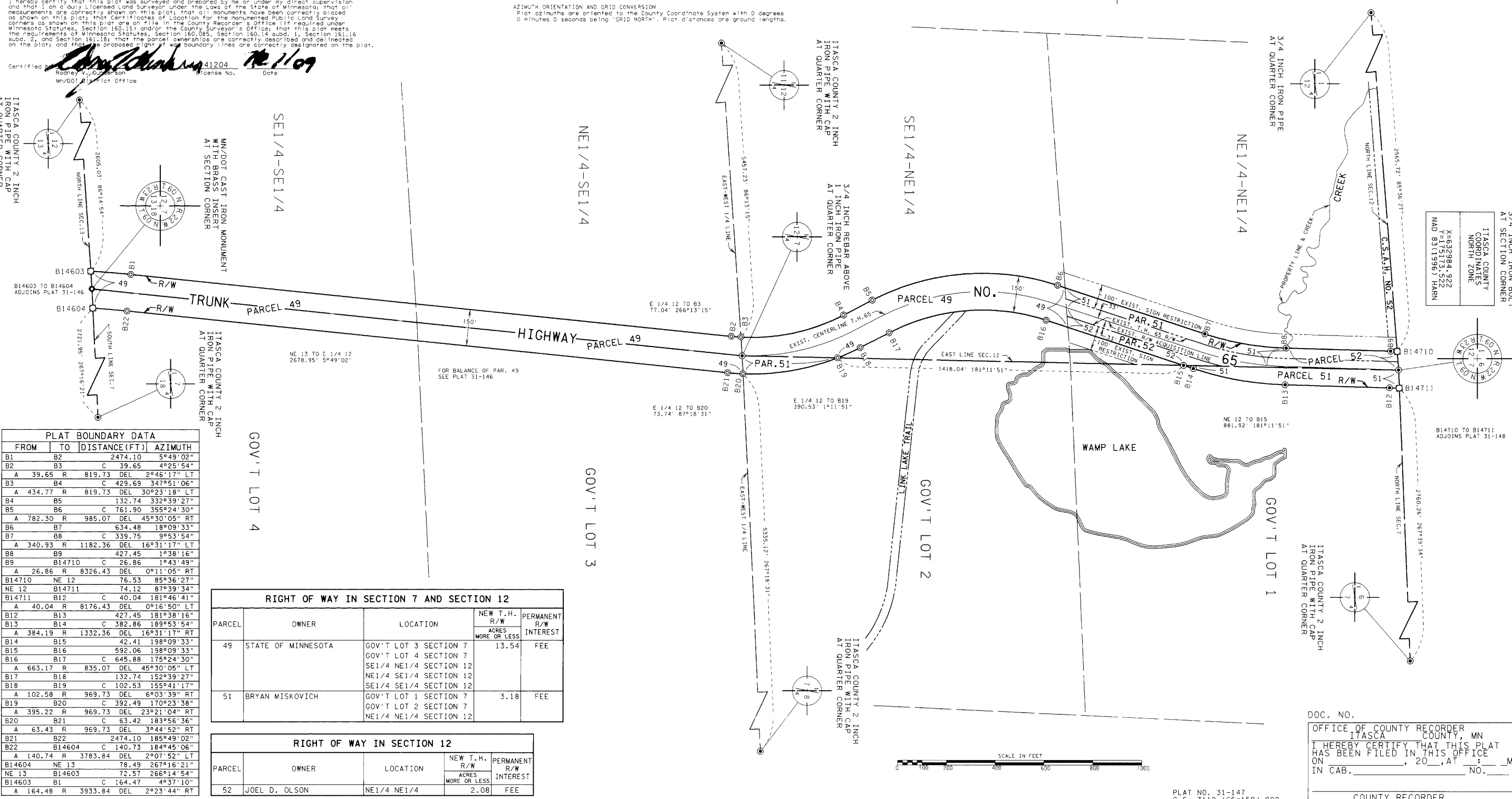
SURVEY STANDARDS

- The plat values, azimuths, and distances are based on the County coordinate system.
- The boundary monuments shown on this plat have been field checked for location. The standard deviation for the monument position is 0.10 foot.
- The county coordinates shown on one monument are based on files to national control monuments.
- For details of this survey contact the Surveying Section at the Minnesota Department of Transportation: DULUTH, Name of District

AZIMUTH ORIENTATION AND GRID CONVERSION  
 Plat azimuths are oriented to the County Coordinate System with 0 degrees 0 minutes 0 seconds being "GRID NORTH". Plat distances are ground lengths.

MINNESOTA DEPARTMENT OF TRANSPORTATION  
 RIGHT OF WAY PLAT NO. 31-147

CONTROL SECTION NO. 3112 (65=159) 902  
 IN GOVERNMENT LOTS 1,2,3 AND 4 OF SECTION 7, T.60 N., R.22 W.,  
 IN THE NORTHEAST QUARTER OF THE NORTHEAST QUARTER OF SECTION 12, T.60 N., R.23 W.,  
 IN THE SOUTHEAST QUARTER OF THE NORTHEAST QUARTER OF SECTION 12, T.60 N., R.23 W.,  
 IN THE NORTHEAST QUARTER OF THE SOUTHEAST QUARTER OF SECTION 12, T.60 N., R.23 W.,  
 IN THE SOUTHEAST QUARTER OF THE SOUTHEAST QUARTER OF SECTION 12, T.60 N., R.23 W.,  
 ITASCA COUNTY, MINNESOTA



ITASCA COUNTY COORDINATES NORTH ZONE  
 X=632984.922  
 Y=175173.522  
 MAD 83(1996) HANN

DOC. NO. \_\_\_\_\_  
 OFFICE OF COUNTY RECORDER  
 ITASCA COUNTY, MN  
 I HEREBY CERTIFY THAT THIS PLAT  
 HAS BEEN FILED IN THIS OFFICE  
 ON \_\_\_\_\_, 20\_\_\_\_, AT \_\_\_\_\_ M  
 IN CAB. \_\_\_\_\_ NO. \_\_\_\_\_  
 COUNTY RECORDER

PLAT NO. 31-147  
 C.S. 3112 (65=159) 902